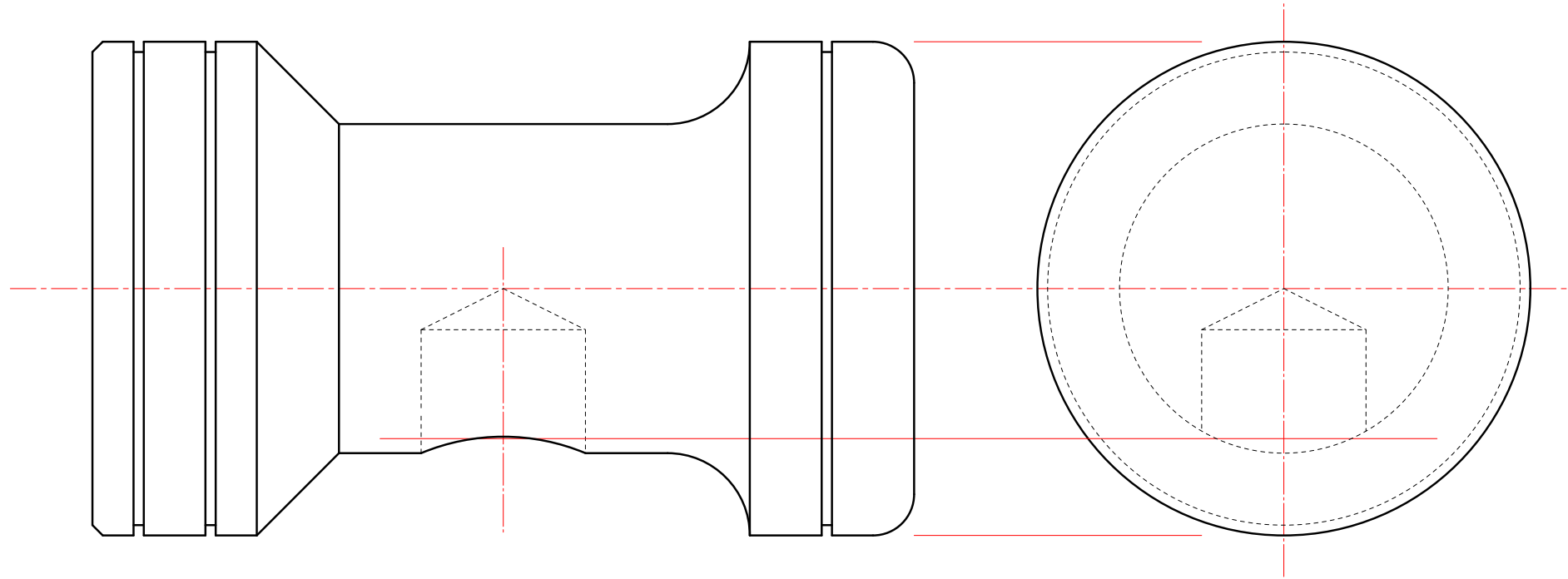


Wood Lathe



Mark Elwell
Designed By ME Consultancy Ltd.